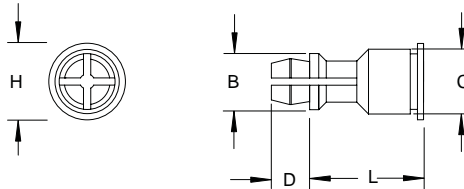


TH - Standoff

Self-Clinching, Spring-Top
Inch

Sample Part Number

THST - .250 - Z
Series/ Length Finish
Material

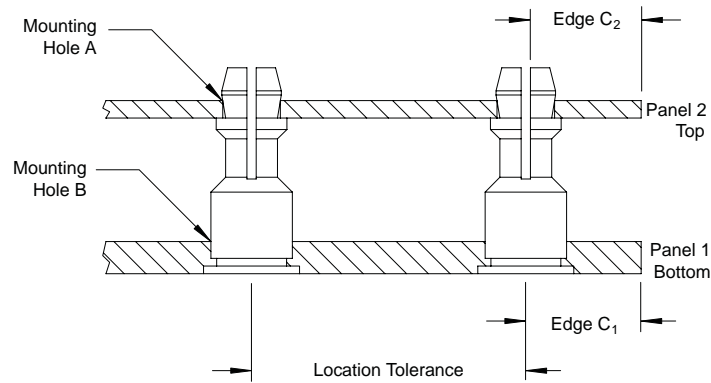


B ±.005	C MAX	D ±.005	H ±.005
.188	.212	.141	.250

Custom sizes available.

(L) Length ±.005									
.250	.312	.375	.437	.500	.562	.625	.750	.875	1.00

Material	Description	Finish	Description
ST	Carbon Steel	Z	Zinc Clear
S4	400 Series Stainless Steel	P	Passivate
AL	Aluminum	PLN	Plain



Panel 1							Panel 2				
Material	Bottom Mounting Hole B +.003/- .000	Panel Material	Hardness MAX	Thickness MIN	Edge Distance C ₁ MIN	Location Tolerance	Top Mounting Hole A +.003/- .000	Panel Material	Hardness MAX	Thickness Range	Edge Distance C ₂ MIN
A	.213	Metal	HRB 50	.040	.260	±.005	.156	PC Board or Metal	No Limit	.040 - .070	.100
STL			HRB 60								
SS			HRB 70								

All Dimensions are in Inches

TH - Standoff

Self-Clinching, Spring-Top

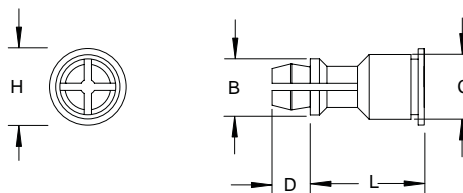
Metric

Sample Part Number

THST - 18 - Z

Series/ Length Finish

Material

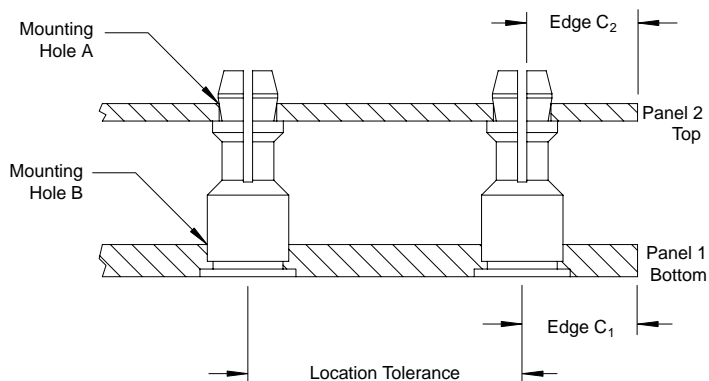


B ±0.13	C MAX	D ±0.13	H ±0.13
4.78	5.39	3.58	6.35

Custom sizes available.

(L) Length (mm) ±0.13								
8	10	12	14	16	18	20	22	25

Material	Description	Finish	Description
ST	Carbon Steel	Z	Zinc Clear
S4	400 Series Stainless Steel	P	Passivate
AL	Aluminum	PLN	Plain



Panel 1							Panel 2				
Material	Bottom Mounting Hole B +0.08	Panel Material	Hardness MAX	Thickness MIN	Edge Distance C ₁ MIN	Location Tolerance MAX	Top Mounting Hole A +0.08	Panel Material	Hardness MAX	Thickness Range	Edge Distance C ₂ MIN
A	5.41	Metal	HRB 50	1	6.6	±0.13	4	PC Board or Metal	No Limit	1-1.8	2.54
SS			HRB 60								
STL			HRB 70								

All Dimensions are in Metric