

Surface-Mount Spacers

FEATURES

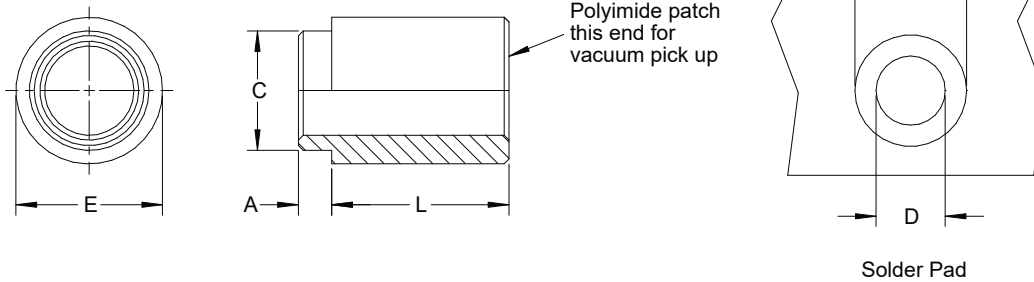
- Unthreaded spacers installed on p.c. boards at the same time and method as other surface-mount technology (SMT) components.
- Reduce secondary handling of p.c. boards that may lead to potential damage.
- Packaged on tape and reel consistent with standard automated SMT installation equipment.
- Available in a variety of convenient hole diameters and lengths with custom sizes available by request.



PART DESCRIPTION EXAMPLE

TDUST - .116 - .250 - TIN - MATTE

Material Code Thru Hole Code Length



TDU Surface-Mount Spacers

GENERAL

All dimensions in inches

INCH	Thru Hole Diameter +.004 -.003 ¹	Thru Hole Code	Mating External Thread	Sheet			A Max.	C Max.	E ±.005
				Min. Thickness	D Hole Size +.003 -.000 ²	F Min. Solder Pad Dia.			
.116	.116	.116	4-40	.060	.166	.244	.060	.161	.219
.143	.143	.143	6-32	.060	.213	.306	.060	.208	.281

All dimensions in millimeters

METRIC	Thru Hole Diameter +0.10 -0.08 ¹	Thru Hole Code	Mating External Thread	Sheet			A Max.	C Max.	E ±0.13
				Min. Thickness	D Hole Size +0.08 -0.00 ²	F Min. Solder Pad Dia.			
3.10	3.10	3.10	M3	1.53	4.22	6.20	1.53	4.09	5.56
3.60	3.60	3.60	M3.5	1.53	5.41	7.77	1.53	5.28	7.14
4.20	4.20	4.20	M4	1.53	6.35	9.37	1.53	6.22	8.74

- (1) Custom hole diameters available by request
- (2) Thru-plating not required on sheet hole.

TDU Surface-Mount Spacers

LENGTH

All dimensions in inches

INCH	Thru Hole Diameter	L (Length) ±.005				
	.116	.062	.125	.250	.375	
	.143	.062	.125	.250	.375	

All dimensions in millimeters

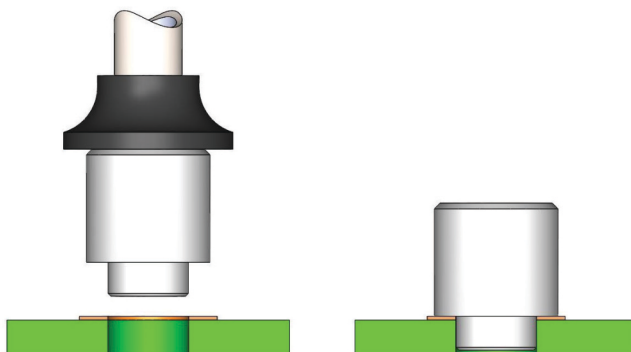
METRIC	Thru Hole Diameter	L (Length) ±0.13					
	3.10	2	3	4	6	8	10
	3.60	2	3	4	6	8	10
	4.20	2	3	4	6	8	10

(1) Custom lengths available by request

MATERIAL AND FINISH

Material Code	Material Description	Finish Description
BR	Brass	Electroplated Matte Tin per ASTM B545, Class A with Clear Preservative Coating, Annealed
ST	Carbon Steel	Electroplated Matte Tin per ASTM B545, Class A with Clear Preservative Coating, Annealed

INSTALLATION



Apply solder paste to p.c. board pad. Place spacer by gripping end with polyimide patch.

Solder spacer in place using surface-mount technology (SMT) practices.

TDU Surface-Mount Spacers

REEL DATA

All dimensions in inches

INCH	Thru Hole Diameter	Length			
		.062	.125	.250	.375
		Parts per Reel/Pitch			
.116	1500/.472	1000/.472	650/.472	300/.630	
.143	1500/.472	1000/.472	650/.472	300/.630	

All dimensions in millimeters

METRIC	Thru Hole Diameter	Length					
		2	3	4	6	8	10
		Parts per Reel/Pitch					
3.10	1500/12	1000/12	900/12	650/12	375/16	300/16	
3.60	1500/12	1000/12	900/12	650/12	375/16	300/16	
4.20	1100/16	800/16	675/16	500/16	375/16	300/16	

- (1) Parts packaged on .945" (24mm) wide tape on 13" (330mm) recyclable reels conforming to EIA-481.
- (2) Parts available in bulk without polyimide patch by special request.



TDU Surface-Mount Spacers