

## 3ULR

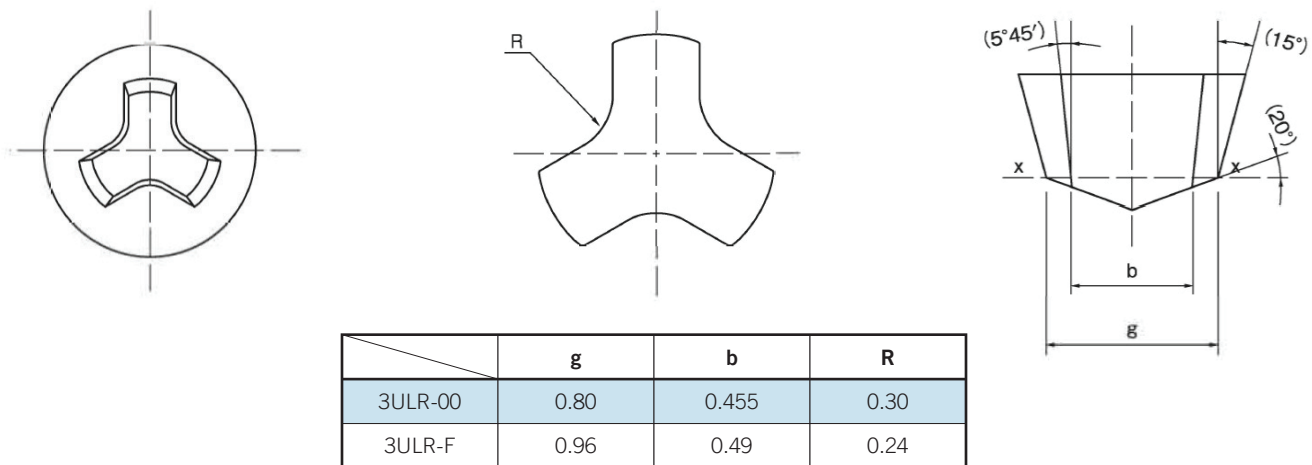
The 3ULR models within the Microstix® screw series are ultra-small precision screws designed by OSG System Products Co., Ltd. These screws are especially suited for applications that require precise and secure fastening, making them ideal for industries such as electronics, medical device manufacturing, and other high-tech fields where intricate and accurate fastening is crucial. They are designed to work with specific, highly accurate screwdrivers to ensure optimal performance.

### Characteristics of 3ULR:

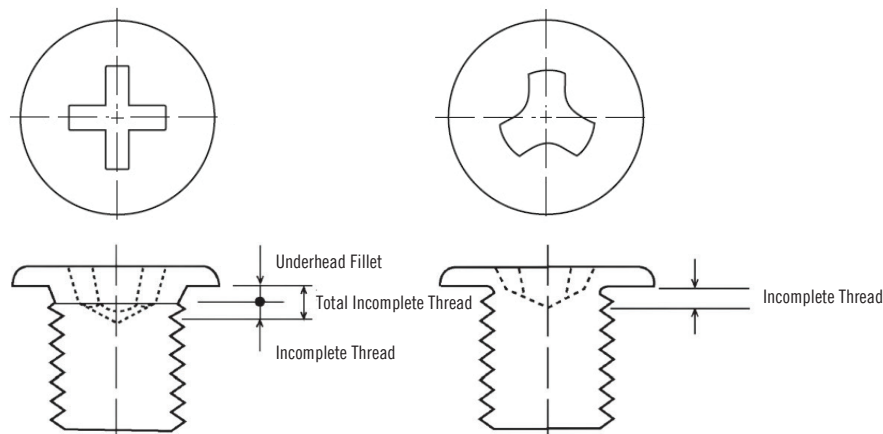
- Optimal torque transmission with LHSTIX® design.
- Cam-out is virtually eliminated for trouble-free fastening.
- Enhanced connection between bit and screw for increased work efficiency.
- Ideal for compact and thin-head screw applications.
- Tamper-proof and requires minimal driving force.



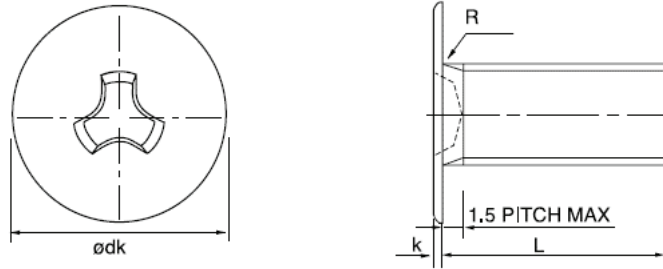
### Basic Shape and Size of 3ULR



### Comparison With Cross-Head Recess Screws



Microstix® is a registered trademark of OSG System Products Co., Ltd.



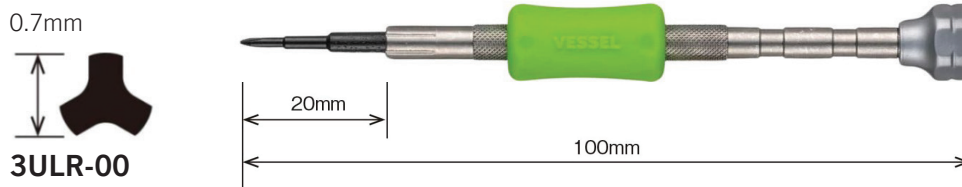
### Size of Micro Stix

Unit: mm

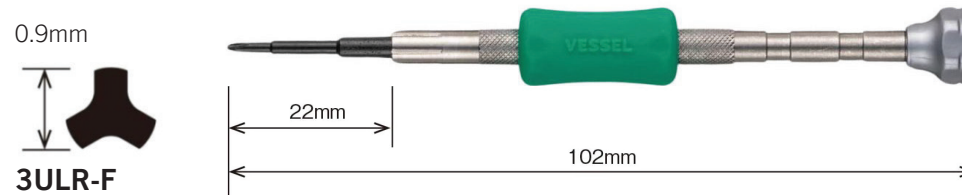
Nominal Size	No.	ødk		k		Underhead Fillet	Incomplete Thread	q <sup>(1)</sup>	
		Basic Size	Tolerance	Basic Size	Tolerance			Min	Max
M 1.2	3ULR-00	2.0	+0.05 -0.1	0.2	±0.05	0.1MAX	1.5 pitch MAX	0.30	0.45
		2.5	+0.05 -0.1	0.2	±0.05	0.1MAX	1.5 pitch MAX		
M1.4	3ULR-F	2.5	+0.05 -0.2	0.2	±0.05	0.1MAX	1.5 pitch MAX	0.30	0.45
		3.0	+0.05 -0.2	0.2	±0.05	0.1MAX	1.5 pitch MAX		
M 1.6	3ULR-F	3.0	+0.05 -0.2	0.2	±0.05	0.1MAX	1.5 pitch MAX	0.30	0.45
		3.5	+0.05 -0.2	0.2	±0.05	0.1MAX	1.5 pitch MAX		

Note (1) "q" refers to the penetration depth gauge measurement of a 3ULR.

### Compatible Screwdrivers



Applicable Screw Size: M1.2



Applicable Screw Size: M1.4~M1.6

