

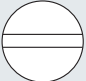





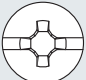








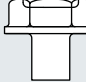


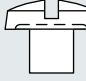

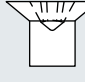
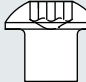
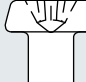


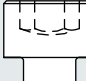



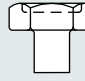









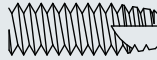
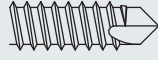


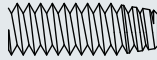


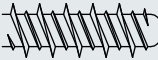
## Drives

 PH Type 1 Cross Recess	 WY One Way Drive
 SL Slotted Drive	 SPN Spanner Drive
 TX 6 Lobe Recess	 TW Tri Wing
 PZ Pozi Drive	 PH-SQ Phillips Square
 SL - PH Combination Drive	 HX Hex Recess
 SL - TX Slotted 6 Lobe Recess	 XTX Tamperproof 6 Lobe Recess
 SQ Square Drive	 TPX Torx Plus
 XHX Tamperproof Hex Recess	 PAC Anti Cam-out Recess

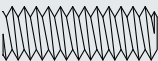
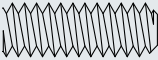
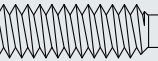
## Heads

 PN Pan Head	 INHX - WA Indented Hex Washer Head	 UOVAL Undercut Oval Head
 FL Flat Head	 BIND Binder Head	 TRUSS Truss Head
 100DG 100 Degree Flat Head	 BUT Button Head	 CH Cheese Head
 UFL Undercut Flat Head	 FIL Fillister Head	 CAP Socket Head Cap Screw
 TRM2 Trimmed Flat Head	 OVAL Oval Head	 WAFER Wafer Head
 INHX Indented Hex Head	 TOVAL Trimmed Oval Head	

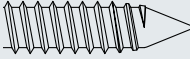
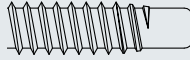

## Threads

 Type MS Machine Screw	 Type AB Machine Screw
 Type TT Trilobular Machine Screw	 Type B Sheet Metal Screw
 Type 1 Sheet Metal Screw	 Type 25 Sheet Metal Screw
 Type 23 Machine Screw	 Type TEK2 Sheet Metal Screw
 Type F Machine Screw	 Type PF Screws for Plastic
 Type C	 Type PLAST Screws for Plastic
 Type A	 Type HILO Screws for Plastic

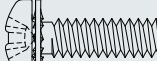
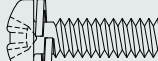
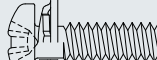
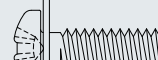

## Points Machine Screw

 Cut Point
 Header Point
 DOG MS Point






## Points Sheet Metal

 BP Point
 DOG Point
 Needle Point

## Attached Washers

 INT - SEMS Internal Tooth Lock Washer Sems	 SPLT - SEMS Split Ring Lock Washer Sems
 SQCN - SEMSSQCN - SEMS Square Cone Lock Washer Sems	 FL - SEMS Flat Washer Sems
 EXT - SEMS External Tooth Lock Washer Semst	

## Integrated Locking Features

 Patch Lock	 Epoxy Lock
 Strip Lock	 Serrated Teeth
 Pellet Lock	

### BRANCH LOCATIONS

**PENCOM Headquarters**  
San Carlos  
P: (650) 593.3288  
F: (650) 593.3299

**PENCOM Sacramento**  
P: (916) 858.1065  
F: (916) 858.1070

**PENCOM Florida**  
P: (727) 571.1641  
F: (727) 571.3460

**PENCOM New England**  
P: (603) 893.8006  
F: (603) 893.8005

**PENCOM Mexico**  
P: (52) 33.3133.3925  
F: (52) 33.3133.3928

**PENCOM Singapore**  
P: (65) 6749.6183  
F: (65) 6749.4948

**PENCOM Hong Kong**  
P: (852) 2994.6183  
F: (852) 2172.6233

**PENCOM Dallas**  
P: (817) 354.1200  
F: (817) 354.1207

**MANUFACTURING LOCATIONS**

**PENCOM Hayward**  
P: (510) 785.5022  
F: (510) 785.3893

**PENCOM Camarillo**  
P: (805) 484.9611  
F: (805) 484.0079

**PENCOM Guadalajara**  
P: (52) 33.3133.3925  
F: (52) 33.3133.3928

**PENCOM Nogales**  
P: (52) 631.319.1485  
F: (52) 631.319.1486

**PENCOM Taiwan - 2 Sites**  
Contact Hong Kong

**PENCOM China - 4 Sites**  
Contact Hong Kong

[www.pencomsf.com](http://www.pencomsf.com)  
[sales@pencomsf.com](mailto:sales@pencomsf.com)